

INSTALLATION EVALUATION IS BASED ON APPLICABLE ANCHOR STANDARDS AND/OR INFORMATION & RESULTS FROM APPLICABLE TEST REPORTS. THE FLORIDA BUILDING CODE VERSION CONSIDERED WITH THE EVALUATION WAS THAT IN FORCE AT THE TIME OF THE EVALUATION. IN THE EVENT OF CODE VERSION CHANGES/UPDATES OR IN THE EVENT THAT NEW OR ADDITIONAL TESTING IS COMPLETED ON THE REFERENCED PRODUCT, PRIOR TO STATING CODE COMPLIANCE WITH THE STATE, THE MANUFACTURER SHALL CONFIRM WITH THE INSTALLATION EVALUATION ENGINEER OF RECORD THAT THE INSTALLATIONS SPECIFIED HEREIN ARE CURRENT WITH THE THEN CURRENT TESTING, CODE AND APPLICABLE STANDARDS.

ANCHOR/SUBSTRATE EVALUATION NOTE:
ALL ANCHORS IN THEIR SPECIFIED SUBSTRATES HAVE BEEN ANALYZED IN ACCORDANCE WITH THEIR APPLICABLE STANDARD(S) AND ARE FOUND TO BE CAPABLE OF SUPPORTING ALL LOADS IMPOSED ON THEM UNDER THE GUIDELINES OF THIS DOCUMENT. ANY SUBSTRATES OR CONDITIONS OUTSIDE OF WHAT IS SHOWN HEREIN SHALL BE SUBJECT TO JOB SPECIFIC ENGINEER'S REVIEW & CERTIFICATION.

INSTALLATION NOTE:
WHEN NECESSARY, INSTALLATION METHODS MAY BE MIXED WITH ANY ONE WINDOW SUCH THAT INDIVIDUAL SIDES OF THE WINDOW MAY USE ONE OR THE OTHER ANCHOR METHOD (EXAMPLE: LEFT SIDE MAY USE FRAME SCREWS METHOD WHILE OTHER SIDES USE FIN)

FRAME ANCHOR REQUIREMENTS TABLE

OPENING TYPE (SUBSTRATE)	FRAME/CLIP TO OPENING FASTENER TYPE	MINIMUM EMBED	MINIMUM EDGE DIST.
(4) MIN. 2X6 WOOD FRAME OR BUCK (MIN. GR. 3 & G=0.55)	NO. 10 SMS OR WOOD SCREW	1 1/4"	3/4"
MIN. 18 GA. 33 KSI METAL STUD	NO. 10 GR. 5 SELF TAP/DRILL SCREW	FULL	1/2"
MIN. 1/8" THK A36 STEEL	NO. 10 GR. 5 SELF TAP/DRILL SCREW	FULL	1/2"
MIN. 1/8" THK 6063-T5 ALUM.	NO. 10 GR. 5 SELF TAP/DRILL SCREW	FULL	1/2"
(5) MIN. C-90 CMU	(1) 1/4" CONCRETE SCREW	1 1/4"	2"
MIN. 2500 PSI CONCRETE	(1) 1/4" CONCRETE SCREW	1 1/2"	2"
HINGE SCREWS			
(4) MIN. 2X6 WOOD FRAME OR BUCK (MIN. GR. 3 & G=0.55)	NO. 12 SMS OR WOOD SCREW	1 1/4"	3/4"
MIN. 18 GA. 33 KSI METAL STUD	NO. 12 GR. 5 SELF TAP/DRILL SCREW	FULL	1/2"
MIN. 1/8" THK A36 STEEL	NO. 12 GR. 5 SELF TAP/DRILL SCREW	FULL	1/2"
MIN. 1/8" THK 6063-T5 ALUM.	NO. 12 GR. 5 SELF TAP/DRILL SCREW	FULL	1/2"
MIN. C-90 CMU OR 2500 PSI CONCRETE	(1) 1/4" CONCRETE SCREW	1 1/4"	2"
STRIKE SCREWS			
(4) MIN. 2X6 WOOD FRAME OR BUCK (MIN. GR. 3 & G=0.55)	NO. 8 SMS OR WOOD SCREW	1 1/4"	3/4"
MIN. 18 GA. 33 KSI METAL STUD	NO. 8 GR. 5 SELF TAP/DRILL SCREW	FULL	1/2"
MIN. 1/8" THK A36 STEEL	NO. 8 GR. 5 SELF TAP/DRILL SCREW	FULL	1/2"
MIN. 1/8" THK 6063-T5 ALUM.	NO. 8 GR. 5 SELF TAP/DRILL SCREW	FULL	1/2"
(5) MIN. C-90 CMU	(1) 3/16" CONCRETE SCREW	1 1/4"	2"
MIN. 2500 PSI CONCRETE	(1) 3/16" CONCRETE SCREW	1 1/2"	2"
(2) INSTALLATION CLIP SCREWS (BENT & 3-PIECE CLIPS)			
(4) MIN. 2X6 WOOD FRAME OR BUCK (MIN. GR. 3 & G=0.55)	NO. 8 X 1 1/2" SMS	1 3/8"	(3) N/A
MIN. 1/8" THK A36 STEEL	NO. 8 GR. 5 SELF TAP/DRILL SCREW	FULL	(3) N/A
MIN. 1/8" THK 6063-T5 ALUM.	NO. 8 GR. 5 SELF TAP/DRILL SCREW	FULL	(3) N/A
INSTALLATION CLIP SCREWS (STRAIGHT CLIPS)			
MIN. 2X6 WOOD FRAME OR BUCK (MIN. GR. 3 & G=0.55)	NO. 8 X 1 1/2" SMS	1 3/8"	3/4"
MIN. 18 GA. 33 KSI METAL STUD	NO. 8 GR. 5 SELF TAP/DRILL SCREW	FULL	1/2"
MIN. 1/8" THK A36 STEEL	NO. 8 GR. 5 SELF TAP/DRILL SCREW	FULL	1/2"
MIN. 1/8" THK 6063-T5 ALUM.	NO. 8 GR. 5 SELF TAP/DRILL SCREW	FULL	1/2"
(3) NAILING FIN FASTENERS			
(4) MIN. 2X6 WOOD FRAME OR BUCK (MIN. GR. 3 & G=0.55)	NO. 8 SMS SCREW	1 3/8"	1/2"
(4) MIN. 2X6 WOOD FRAME OR BUCK (MIN. GR. 3 & G=0.55)	11 GA. ROOFING NAIL	1 3/8"	1/2"
MIN. 1/8" THK A36 STEEL	NO. 8 GR. 5 SELF TAP/DRILL SCREW	FULL	1/2"
MIN. 1/8" THK 6063-T5 ALUM.	NO. 8 GR. 5 SELF TAP/DRILL SCREW	FULL	1/2"

GENERAL NOTES:

1. ALL FASTENERS SHALL BE IN ACCORDANCE WITH THESE DRAWINGS. SPECIFIED ANCHOR EMBED TO BASE MATERIAL SHALL BE BEYOND WALL FINISH OR STUCCO.
2. OPENINGS, BUCKING & BUCKING FASTENERS MUST BE PROPERLY DESIGNED & INSTALLED TO TRANSFER WIND LOADS TO THE STRUCTURE.
3. THESE NON-IMPACT RATED PRODUCT INSTALLATIONS ARE IN ACCORDANCE WITH AND MEET THE REQUIREMENTS OF THE FLORIDA BUILDING CODE (FBC).
4. ALL ANCHORS SECURING PRODUCT FRAMES TO PRESSURE TREATED BUCKS OR WOOD FRAMING SHALL BE CAPABLE OF RESISTING CORROSION CAUSED BY THE PRESSURE TREATING CHEMICALS IN THE WOOD.
5. MATERIALS, INCLUDING BUT NOT LIMITED TO STEEL SCREWS, THAT COME INTO CONTACT WITH OTHER DISSIMILAR MATERIALS SHALL MEET THE REQUIREMENTS OF FLORIDA BUILDING CODE CHAPTER 20.
6. TO THE BEST OF OUR KNOWLEDGE, THE PRODUCT SHOWN HEREIN IS CERTIFIED & QUALITY ASSURED BY A FLORIDA STATE APPROVED CERTIFICATION/QA ENTITY & SHALL BE LABELED IN ACCORDANCE WITH THE FBC AND THE FLORIDA DEPARTMENT OF BUSINESS & PROFESSIONAL REGULATION SPECIFICATIONS. PRODUCT ASSEMBLY IS NOT PART OF THIS DRAWING AND SHALL BE IN ACCORDANCE WITH THE MANUFACTURER'S QUALITY ASSURANCE SPECIFICATIONS & TESTING REPORTS.
7. CERTIFICATION OF THESE PRODUCT INSTALLATIONS SHALL BE CONSIDERED VOID IF ANY OF THE FOLLOWING APPLY: 1) PRODUCT IS INSTALLED WITHOUT A BUILDING PERMIT FROM THE APPLICABLE LOCAL BUILDING DEPARTMENT. 2) PRODUCT IS INSTALLED BY ANYONE OTHER THAN A LICENSED CONTRACTOR EXPERIENCED WITH INSTALLATIONS OF THIS TYPE OF PRODUCT. 3) IF CHANGES HAVE OCCURRED TO THE PRODUCT'S CERTIFICATION ENTITY'S CERTIFICATE THAT CAUSE THESE INSTALLATIONS TO BE INCORRECT OR INCONSISTENT WITH WHAT HAS BEEN TESTED.
8. THE LEAST DESIGN PRESSURE SPECIFIED EITHER IN THIS DRAWING OR IN THE PRODUCTS CERTIFICATION SHALL CONTROL FOR THE INSTALLED PRODUCT.
9. THESE DRAWINGS CERTIFY THE PRODUCT INSTALLATION ONLY. WATER PROOFING OF THE INSTALLED PRODUCT IS NOT PART OF THIS INSTALLATION CERTIFICATION. THAT RESPONSIBILITY SHALL BE THAT OF THE MANUFACTURER &/OR INSTALLER.

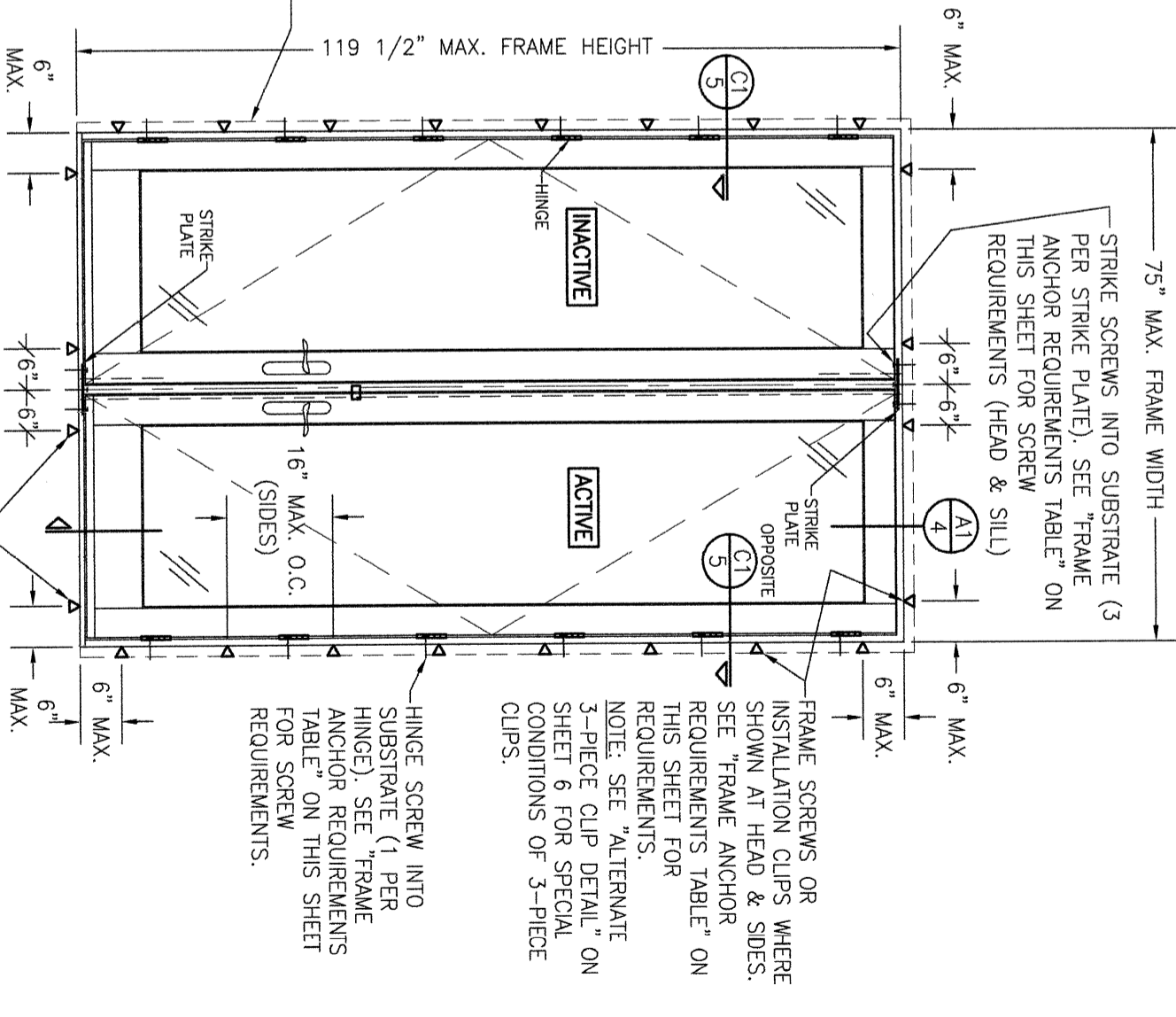
NAIL FIN AND ANCHORING OF NAIL FIN IS OPTIONAL & SHALL NOT ACT AS A SUBSTITUTE FOR THE FRAME ANCHORS SPECIFIED. FIN MAY BE REMOVED WHEN REQUIRED BY OPENING CONDITIONS

HINGE REQUIREMENTS		
MAX. FRAME HEIGHT	QUANTITY PER PANEL	6
119.5"		5
107.875"		4
99.375"		3
83.875"		3

EDGE DISTANCE MAY BE DECREASED TO 1/2" IF SCREWS ARE ANGLED 15 TO 20 DEGREES AWAY FROM THE EDGE.

ALLOWABLE DESIGN PRESSURE (ALL DOORS)

MAX. FRAME HEIGHT (IN.)	ALLOWABLE PRESSURE	
	POSITIVE (PSF)	NEGATIVE (PSF)
119 1/2	50	50
95 1/2	70	70



EXTERIOR ELEVATION: DOUBLE RECTANGULAR DOOR
SCALE: 1/2" = 1'-0"
(SCREW OR CLIP MOUNT CONDITION)

SILL SCREWS WHERE SHOWN, SEE "FRAME ANCHOR REQUIREMENTS TABLE" ON THIS SHEET FOR REQUIREMENTS.

FRAME SCREWS OR INSTALLATION CLIPS WHERE SHOWN AT HEAD & SIDES, SEE "FRAME ANCHOR REQUIREMENTS TABLE" ON THIS SHEET FOR REQUIREMENTS.
NOTE: SEE "ALTERNATE 3-PIECE CLIP DETAIL" ON SHEET 6 FOR SPECIAL CONDITIONS OF 3-PIECE CLIPS.
HINGE SCREW INTO SUBSTRATE (1 PER HINGE). SEE "FRAME ANCHOR REQUIREMENTS TABLE" ON THIS SHEET FOR SCREW REQUIREMENTS.

CONDITIONS SHOWN ON THIS DRAWING ARE GOVERNED BY INSTALLATION REQUIREMENTS ONLY. THE GOVERNING CONDITIONS ON ANY SPECIFIC DOOR SHALL BE THE LESSER OF THOSE SPECIFIED IN THE DOORS STATE APPROVAL OR THAT SHOWN IN THESE DRAWINGS.

THESE DRAWINGS ARE APPLICABLE ONLY TO THE PRODUCT SPECIFIED. THEY MAY NOT BE USED FOR THE ASSEMBLY AND/OR INSTALLATION OF ANY OTHER PRODUCT NOR MAY THEY BE USED FOR RATIONAL AND/OR LOCAL APPROVAL OF ANY PRODUCT NOT PRODUCED BY THE MANUFACTURER STATED ON THESE DRAWINGS.

NO.	REVISION DESCRIPTION	BY	DATE
A1	UPDATE TO CURRENT STANDARDS	W.R.M.	12/20/11
B1	UPDATE TO CURRENT STANDARDS	W.W.S.	05/17/18
C1	UPDATE TO NEW TESTING	W.W.S.	06/02/21
D1	ADDED NEW CLIP INSTALL OPTION	W.W.S.	06/19/24

DRAWING TITLE: PELLA ARCHITECT OUT-SWING NON-IMPACT ALUMINUM CLAD WOOD DOOR INSTALLATION REQUIREMENTS

CONSULTANTS
W. W. SCHAEFER ENGINEERING & CONSULTING, P.A.
25601 AYSEN DRIVE
PUNTA GORDA, FL 33983
PHONE: 561-744-3424

MANUFACTURER
PELLA CORPORATION
102 MAIN STREET
PELLA, IA 50219
641-621-1000

CERTIFICATION

WARREN W. SCHAEFER, P.E.
P.E. NO. 44135

DRAWING NO. 1731
REV. D

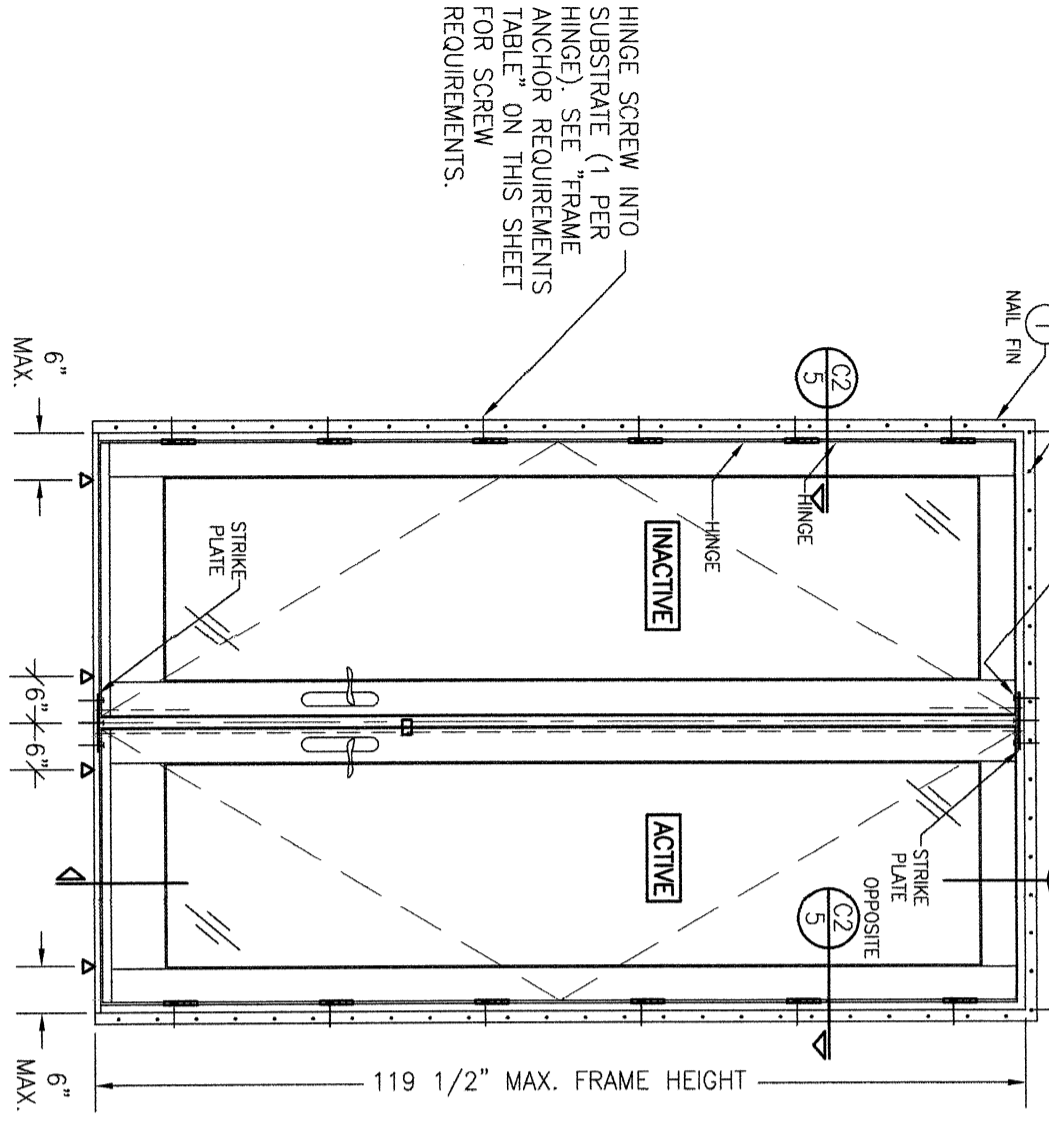
SHEET NO. 1 OF 7

DATE: 12/13/10

FIN FASTENER WITHIN 3" OF CORNERS & 5"-7" MAX. O.C. SEE "FRAME ANCHOR REQUIREMENTS TABLE" ON SHEET 1 FOR REQUIREMENTS.

75" MAX. FRAME WIDTH

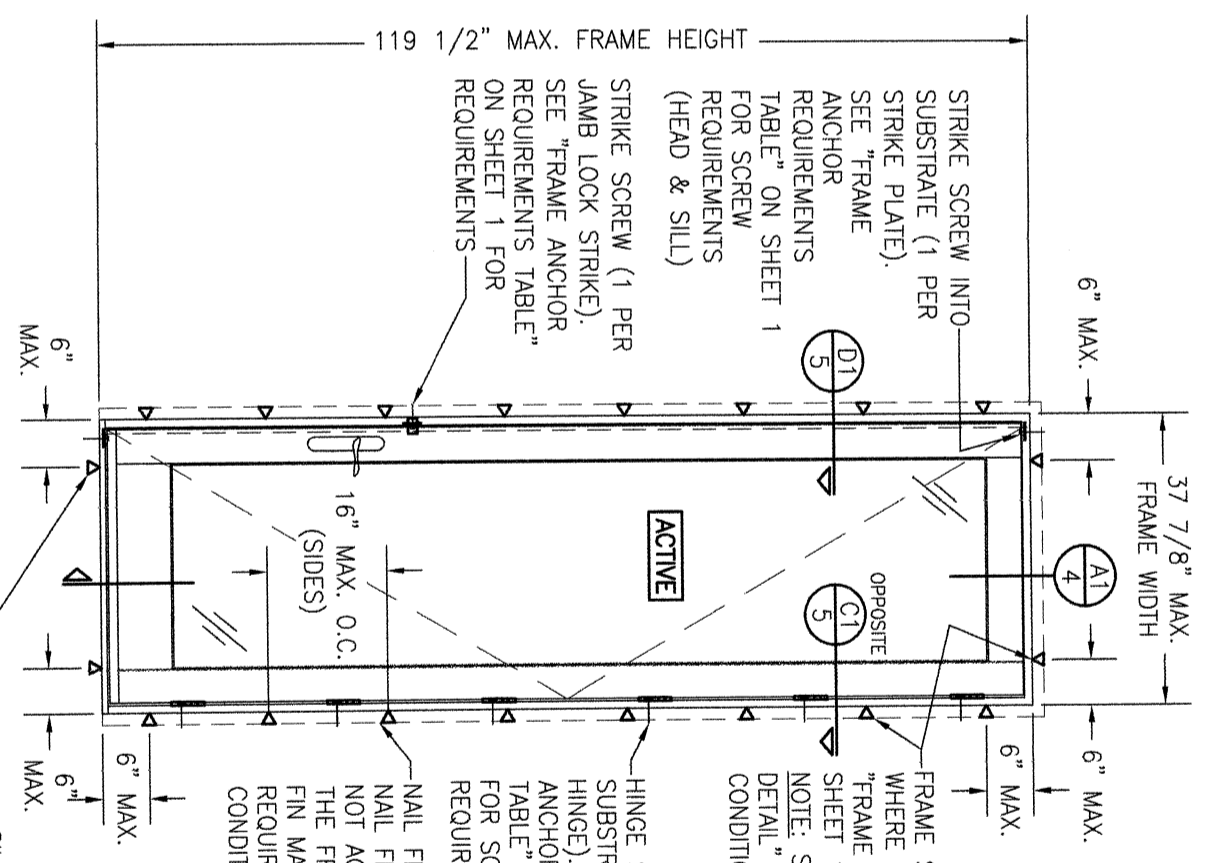
STRIKE SCREWS INTO SUBSTRATE (3 PER STRIKE PLATE). SEE "FRAME ANCHOR REQUIREMENTS TABLE" ON THIS SHEET FOR SCREW REQUIREMENTS (HEAD & SILL)



**EXTERIOR ELEVATION:
DOUBLE RECTANGULAR DOOR**
SCALE: 1/2" = 1'-0"
(FIN MOUNT CONDITION)

STRIKE SCREW INTO SUBSTRATE (1 PER STRIKE PLATE). SEE "FRAME ANCHOR REQUIREMENTS TABLE" ON SHEET 1 FOR SCREW REQUIREMENTS (HEAD & SILL)

FRAME SCREWS OR INSTALLATION CLIPS WHERE SHOWN AT HEAD & SIDES. SEE "FRAME ANCHOR REQUIREMENTS TABLE" ON SHEET 1 FOR REQUIREMENTS.
NOTE: SEE "ALTERNATE 3-PIECE CLIP DETAIL" ON SHEET 6 FOR SPECIAL CONDITIONS OF 3-PIECE CLIPS.



**EXTERIOR ELEVATION:
SINGLE RECTANGULAR DOOR**
SCALE: 1/2" = 1'-0"
(SCREW OR CLIP MOUNT CONDITION)

HINGE SCREW INTO SUBSTRATE (1 PER HINGE). SEE "FRAME ANCHOR REQUIREMENTS TABLE" ON SHEET 1 FOR SCREW REQUIREMENTS.

NAIL FIN AND ANCHORING OF NAIL FIN IS OPTIONAL & SHALL NOT ACT AS A SUBSTITUTE FOR THE FRAME ANCHORS SPECIFIED. FIN MAY BE REMOVED WHEN REQUIRED BY OPENING CONDITIONS

SILL SCREWS WHERE SHOWN. SEE "FRAME ANCHOR REQUIREMENTS TABLE" ON SHEET 1 FOR REQUIREMENTS.


NO.	REVISION DESCRIPTION	BY	DATE

DRAWN BY: W.M.S.
CHECKED BY: W.M.S.
DATE: 12/13/10

DRAWING TITLE PELLA ARCHITECT OUT-SWING NON-IMPACT ALUMINUM CLAD WOOD DOOR INSTALLATION REQUIREMENTS

CONSULTANTS W. W. SCHAEFER ENGINEERING & CONSULTING, P.A.
25601 AYSEN DRIVE
PUNTA GORDA, FL 33983
PHONE: 561-744-3424

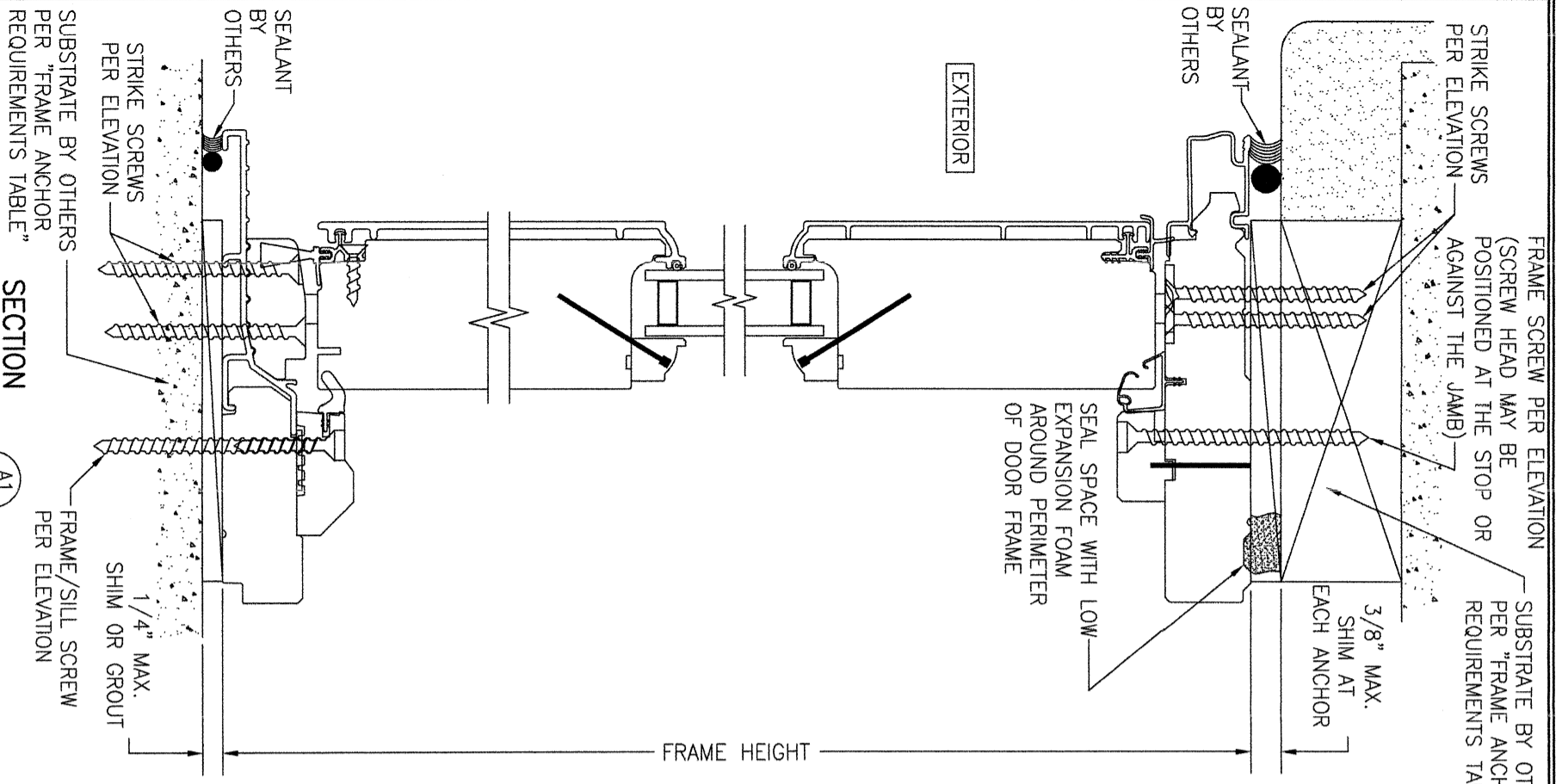
MANUFACTURER PELLA CORPORATION
102 MAIN STREET
PELLA, IA 50219
641-621-1000



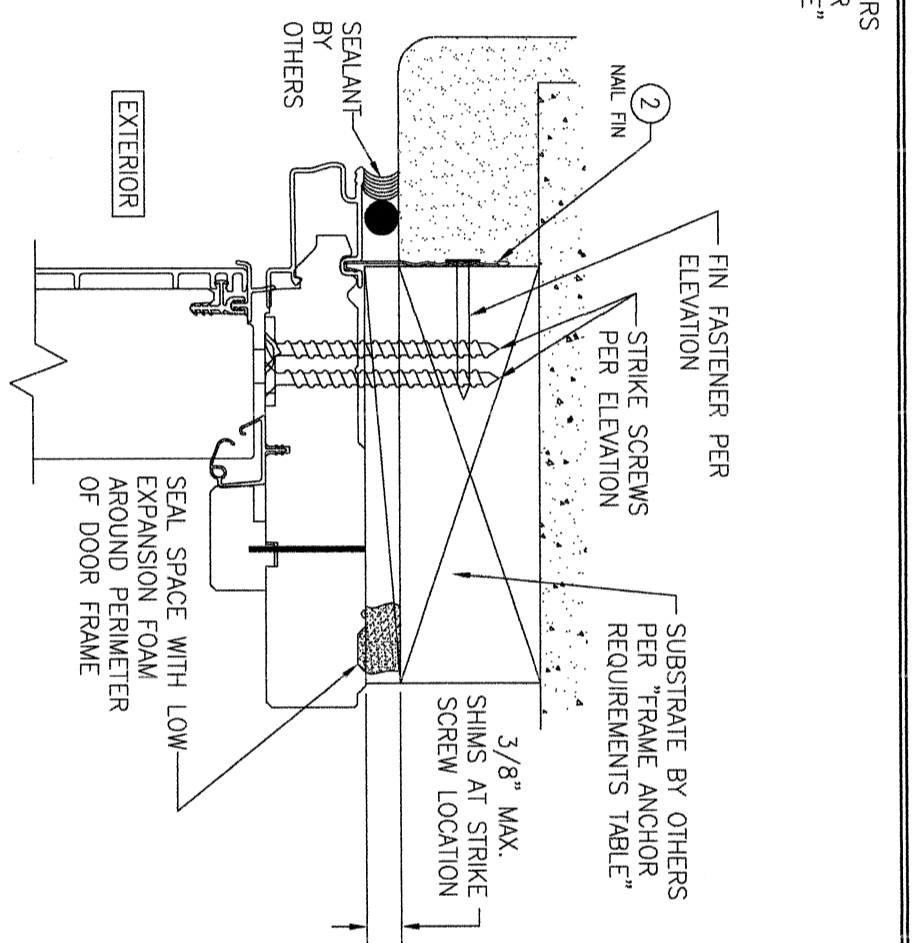
CERTIFICATION

WARREN W. SCHAEFER, P.E.
P.E. NO. 44135

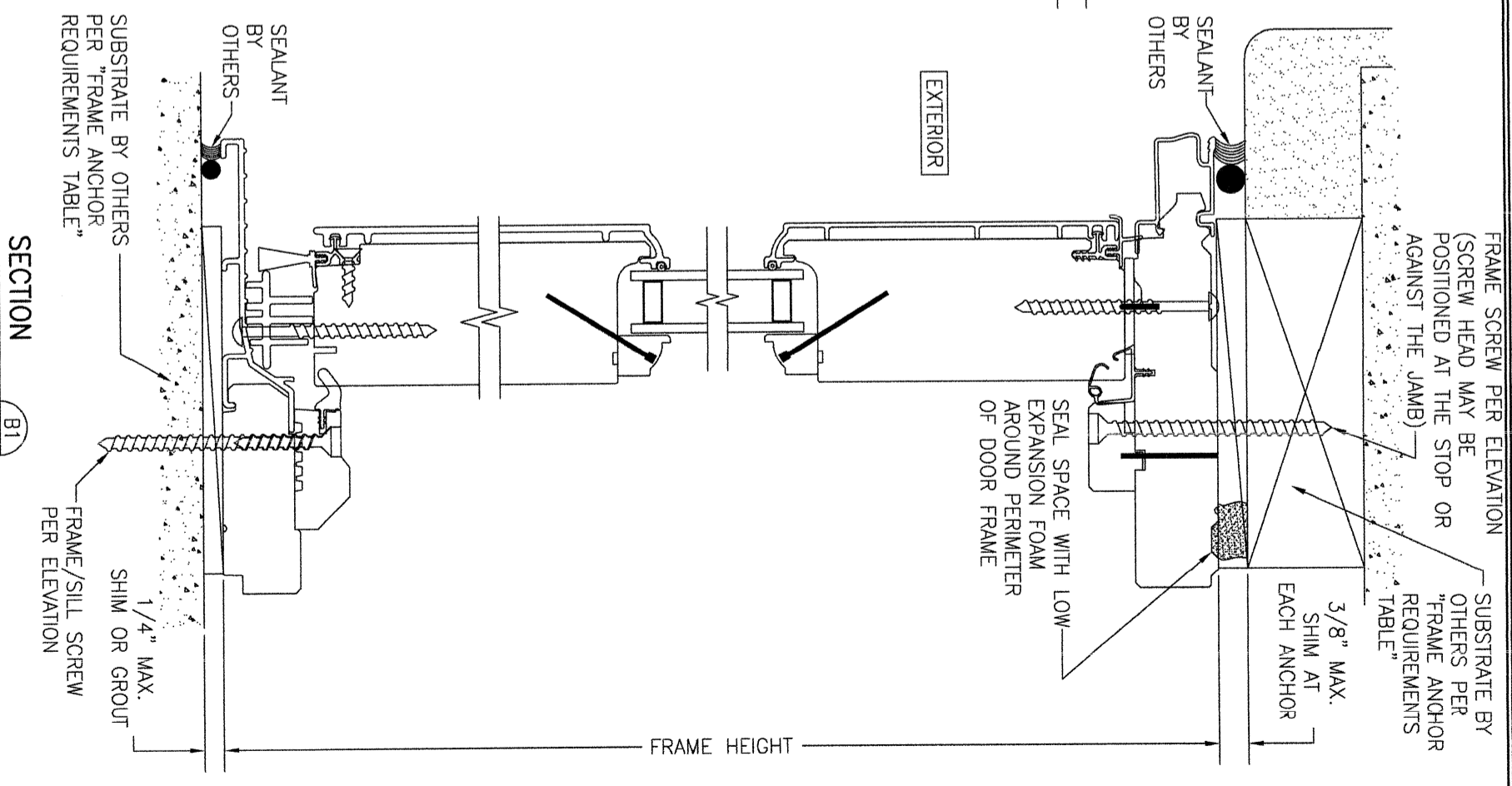
DRAWING NO. 1731
REV. D
SHEET NO. 2 OF 7



FRAME SCREW MOUNT SHOWN. SEE DETAILS ON SHEET 6 & 7 FOR DIRECT MOUNT & CLIP MOUNT DETAILS.



SECTION A2
SCALE: 1/2 FULL
(FIN MOUNT)
(FOR SILL SECTION NOT SHOWN, SEE SECTION A1/4)



FRAME SCREW MOUNT SHOWN. SEE DETAILS ON SHEET 6 & 7 FOR DIRECT MOUNT & CLIP MOUNT DETAILS.

NO.	REVISION DESCRIPTION	BY	DATE
1-2			

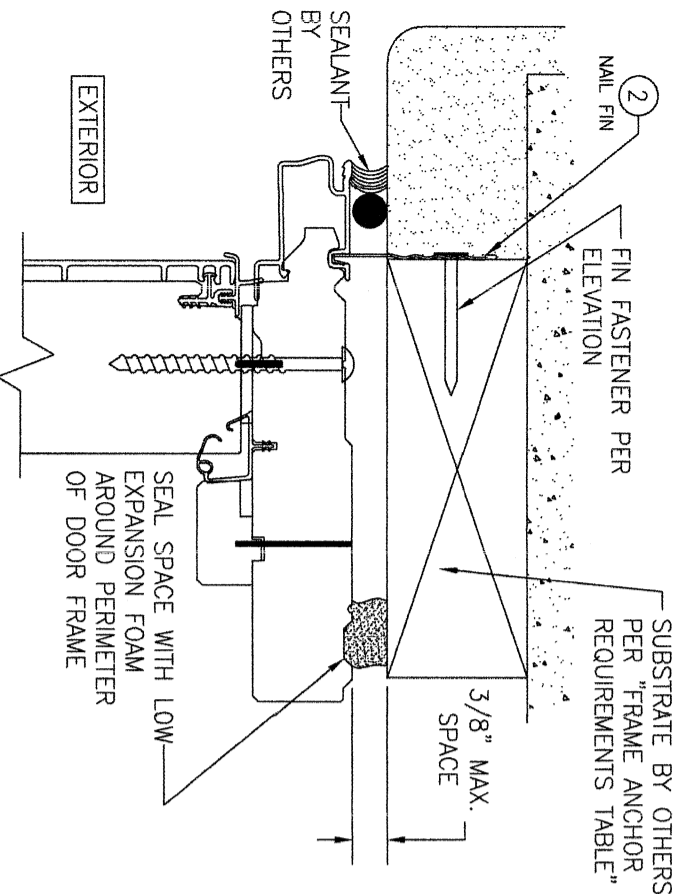
DRAWING TITLE: PELLA ARCHITECT OUT-SWING NON-IMPACT ALUMINUM CLAD WOOD DOOR INSTALLATION REQUIREMENTS

CONSULTANTS: W. W. SCHAEFER ENGINEERING & CONSULTING, P.A. (CA 6809)
7480 150TH COURT NORTH, PALM BEACH GARDENS, FL 33418, PHONE: 561-744-3424

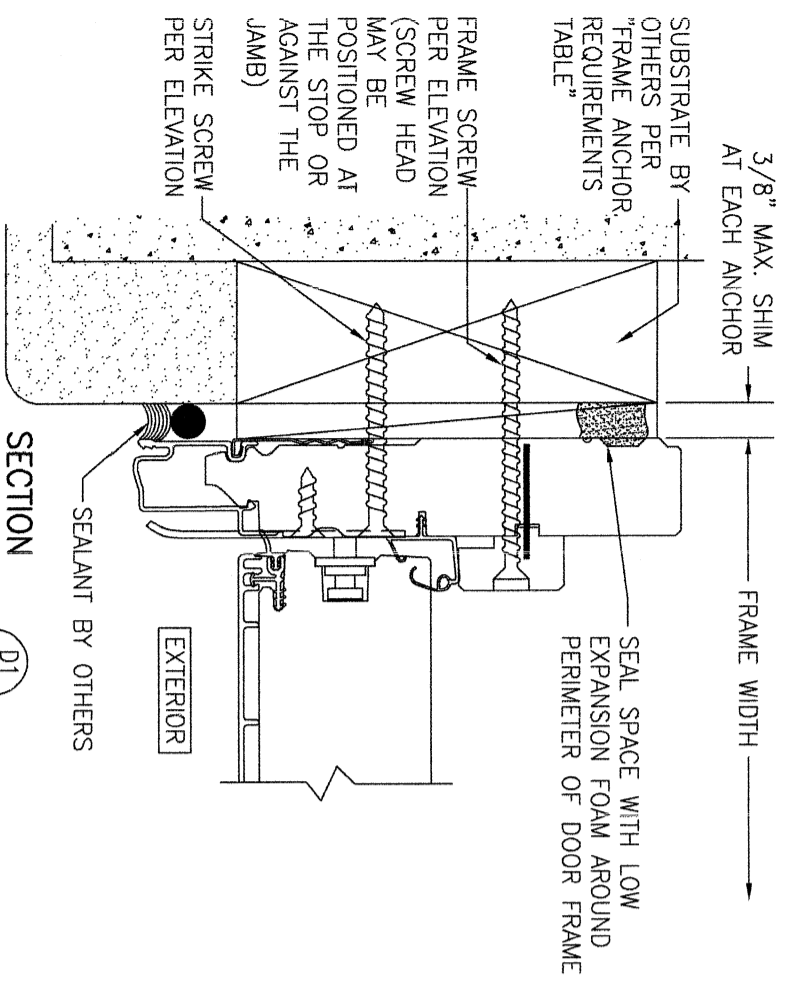
MANUFACTURER: PELLA CORPORATION
102 MAIN STREET, PELLA, IA 50219, 641-621-1000

CERTIFICATION: WARREN W. SCHAEFER, P.E., P.E. NO. 44135

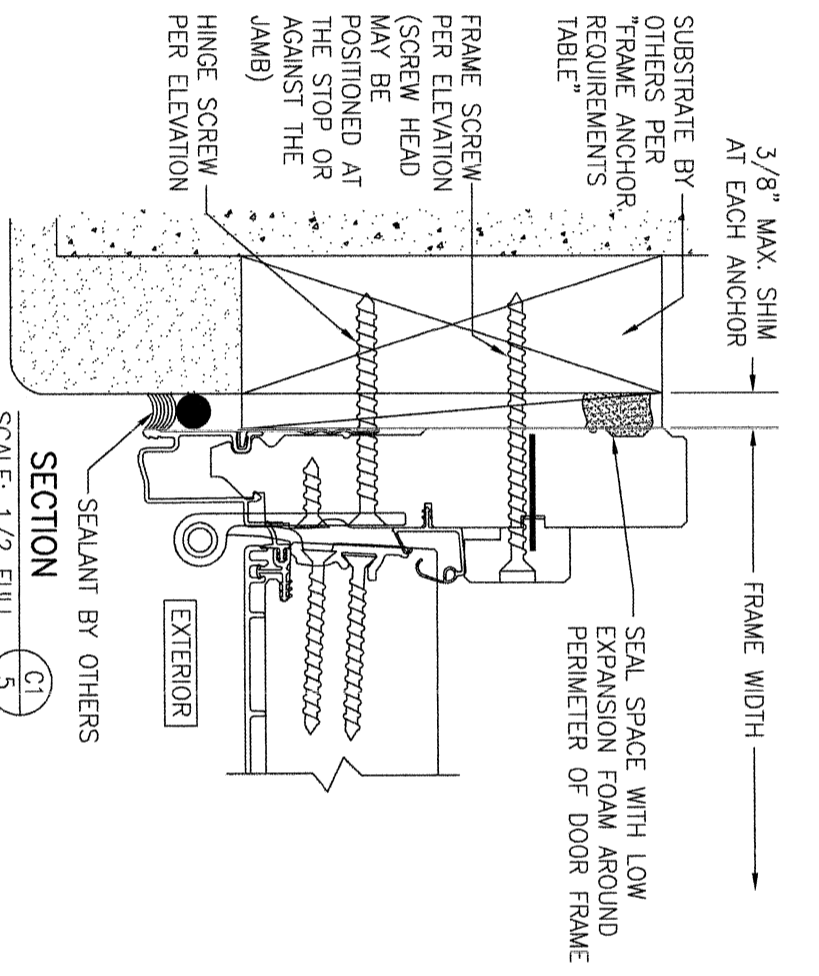
DRAWING NO. 1731, REV. D, SHEET NO. 4 OF 7



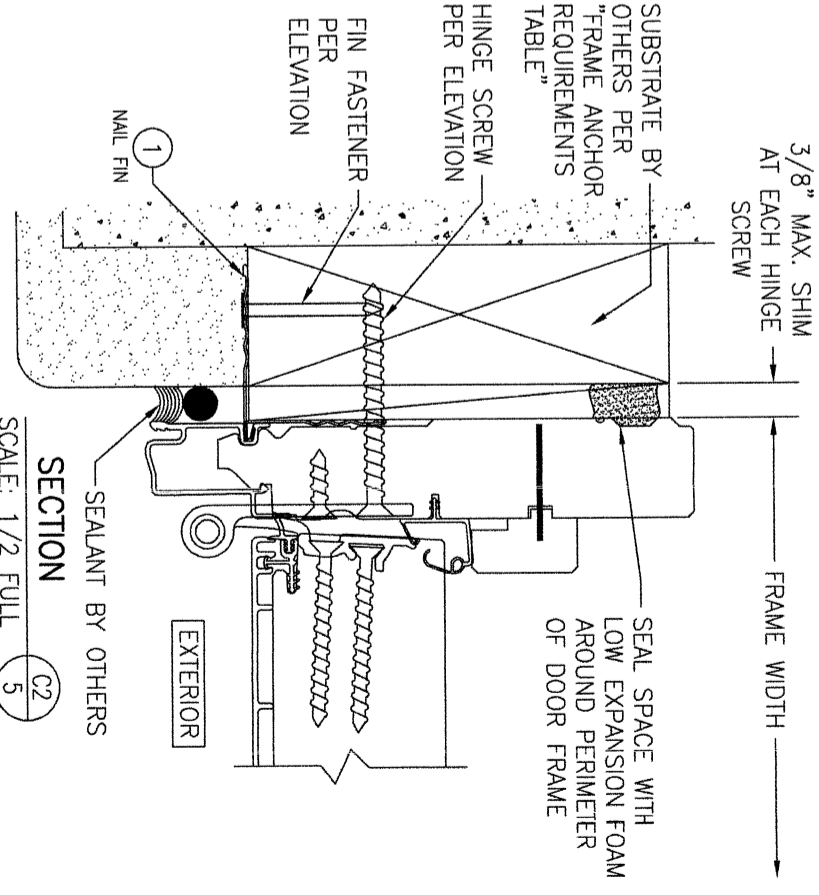
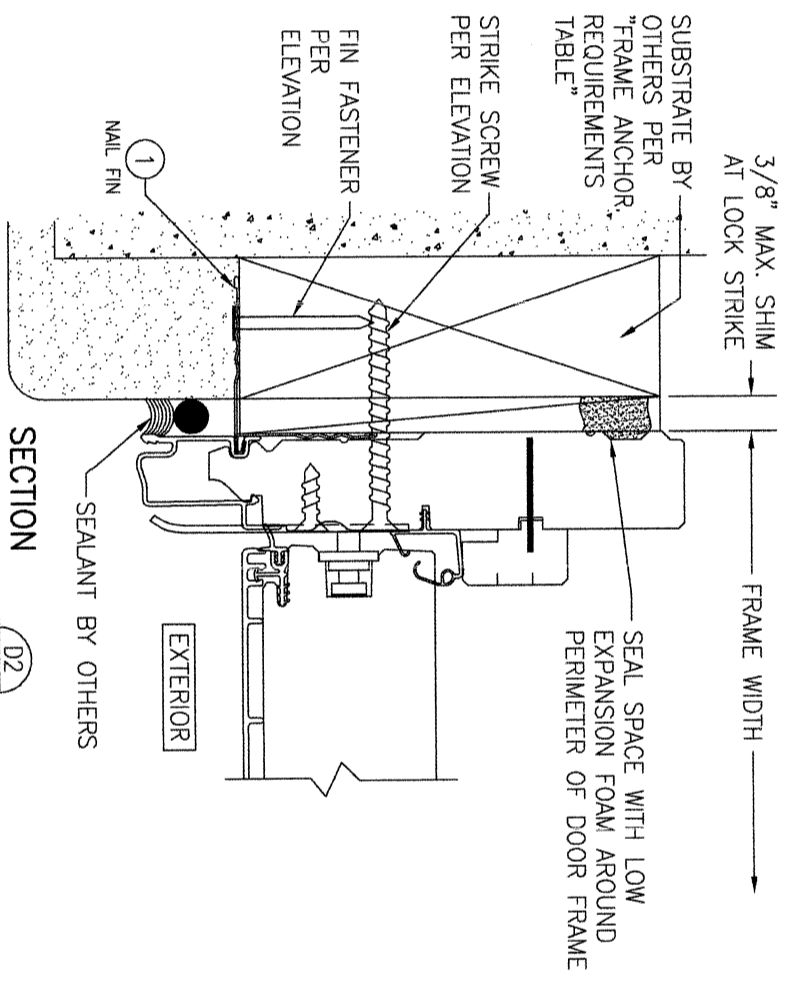
(FOR SILL SECTION NOT SHOWN, SEE SECTION B1/4)



FRAME SCREW MOUNT SHOWN. SEE DETAILS ON SHEET 6 & 7 FOR DIRECT MOUNT & CLIP MOUNT DETAILS.



FRAME SCREW MOUNT SHOWN. SEE DETAILS ON SHEET 6 & 7 FOR DIRECT MOUNT & CLIP MOUNT DETAILS.



NO.	REVISION DESCRIPTION	BY	DATE
1-2			12/13/10

DRAWING TITLE: PELLA ARCHITECT OUT-SWING NON-IMPACT ALUMINUM CLAD WOOD DOOR INSTALLATION REQUIREMENTS

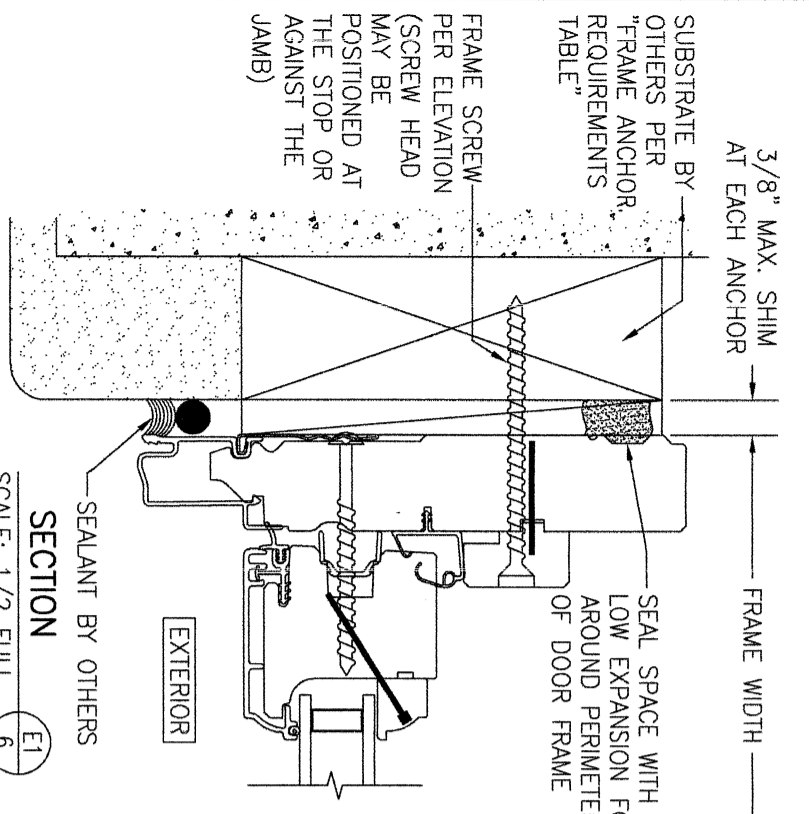
CONSULTANTS: W. W. SCHAEFER ENGINEERING & CONSULTING, P.A. (CA 6809)
7480 150TH COURT NORTH, PALM BEACH GARDENS, FL 33418, PHONE: 561-744-3424

MANUFACTURER: PELLA CORPORATION
102 MAIN STREET, PELLA, IA 50219, 641-621-1000

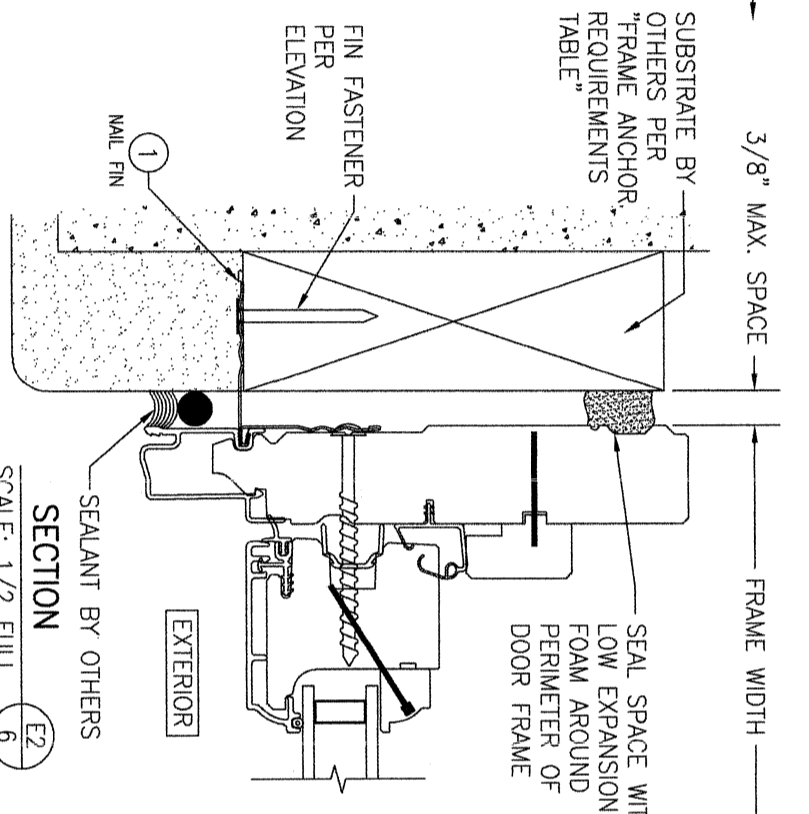
CERTIFICATION: WARREN W. SCHAEFER, P.E., P.E. NO. 44135

DRAWING NO.: 1731, REV. D

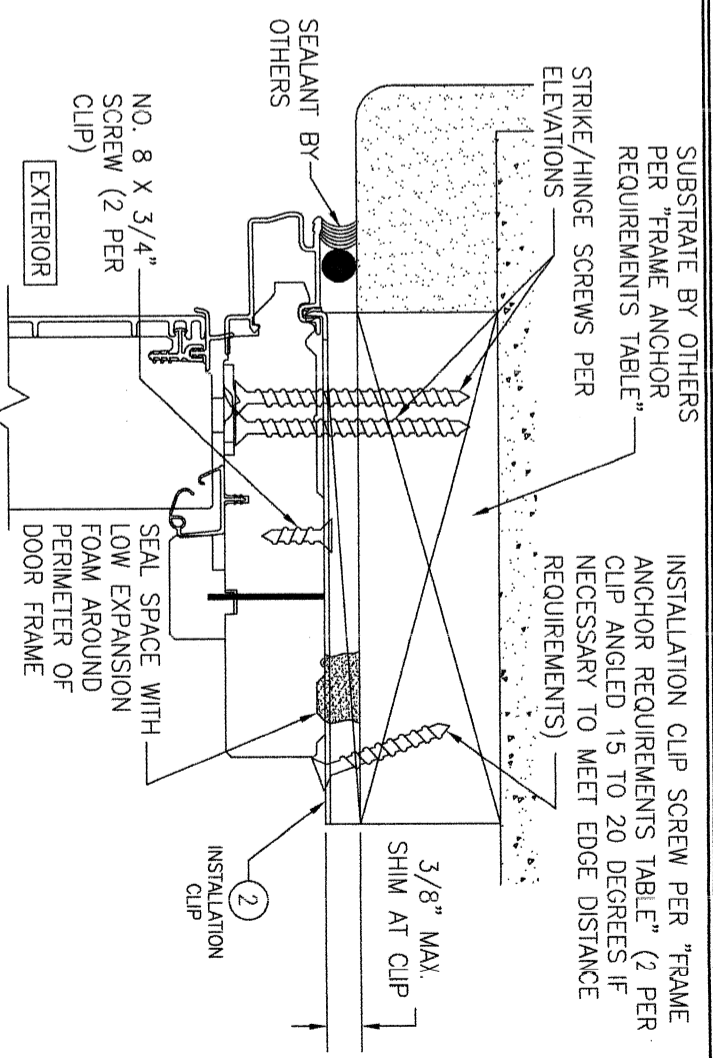
SHEET NO.: 5 OF 7



FRAME SCREW MOUNT SHOWN. SEE DETAILS ON SHEET 6 & 7 FOR DIRECT MOUNT & CLIP MOUNT DETAILS.

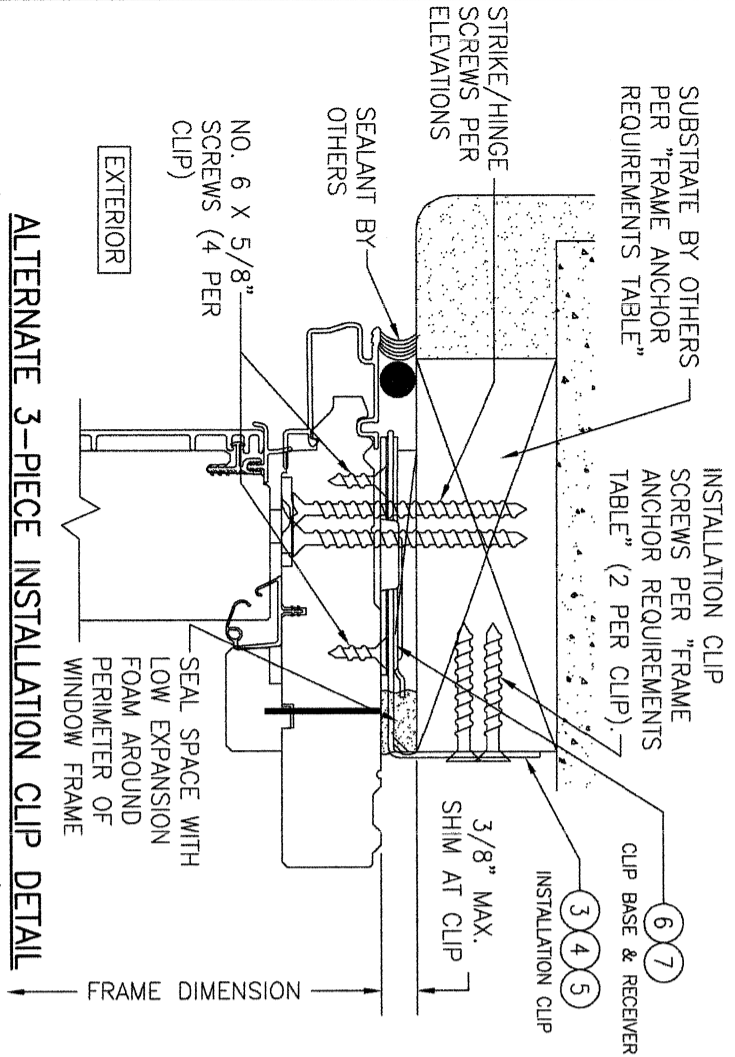


(FIN MOUNT)



ALTERNATE INSTALLATION CLIP DETAIL (STRAIGHT CLIP CONDITION)

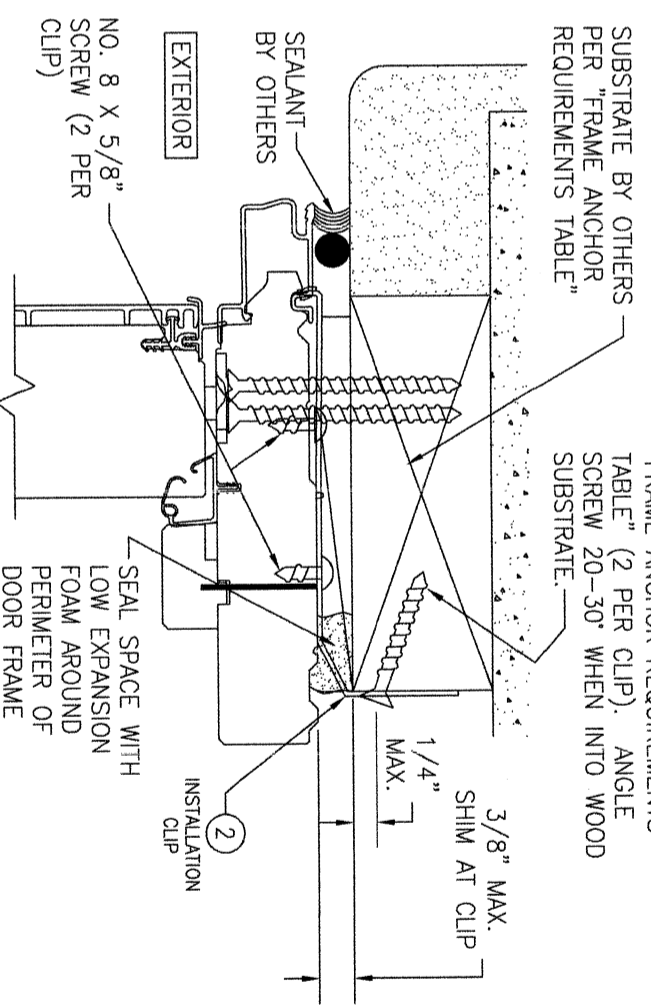
(HEAD SECTION SHOWN; SIDES ARE INSTALLED THE SAME)
(FOR DETAIL NOT SHOWN, SEE OTHER SECTIONS)
(OPERABLE DOOR SHOWN, FIXED PANEL DOORS ALSO APPLY)
(INSTALLATION CLIPS ARE NOT APPLICABLE AT SILL)



ALTERNATE 3-PIECE INSTALLATION CLIP DETAIL

(HEAD SECTION SHOWN; SIDES ARE INSTALLED THE SAME)
(FOR DETAIL NOT SHOWN, SEE OTHER SECTIONS)
(OPERABLE DOOR SHOWN, FIXED PANEL DOORS ALSO APPLY)
(INSTALLATION CLIPS ARE NOT APPLICABLE AT THE SILL)

NOTE: 3-PIECE CLIPS MAY ACT AS SPOT OR FULL REPLACEMENTS OF EITHER THE FRAME SCREWS, STANDARD BENT CLIPS OR STRAIGHT CLIPS. THEREFORE, ANY ONE OR ALL OF THE FRAME SCREWS/CLIPS SPECIFIED IN THE ELEVATION(S) MAY BE REPLACED WITH 3-PIECE CLIPS.



STANDARD INSTALLATION CLIP DETAIL (BENT CLIP CONDITION)

(HEAD SECTION SHOWN; SIDES ARE INSTALLED THE SAME)
(FOR DETAIL NOT SHOWN, SEE OTHER SECTIONS)
(OPERABLE DOOR SHOWN, FIXED PANEL DOORS ALSO APPLY)
(INSTALLATION CLIPS ARE NOT APPLICABLE AT SILL)

NO.	REVISION DESCRIPTION	BY	DATE
1-2			

DRAWING TITLE: PELLA ARCHITECT OUT-SWING NON-IMPACT ALUMINUM CLAD WOOD DOOR INSTALLATION REQUIREMENTS

CONSULTANTS: W. W. SCHAEFER ENGINEERING & CONSULTING, P.A. (CA 6809)
7480 150TH COURT NORTH, PALM BEACH GARDENS, FL 33418, PHONE: 561-744-3424

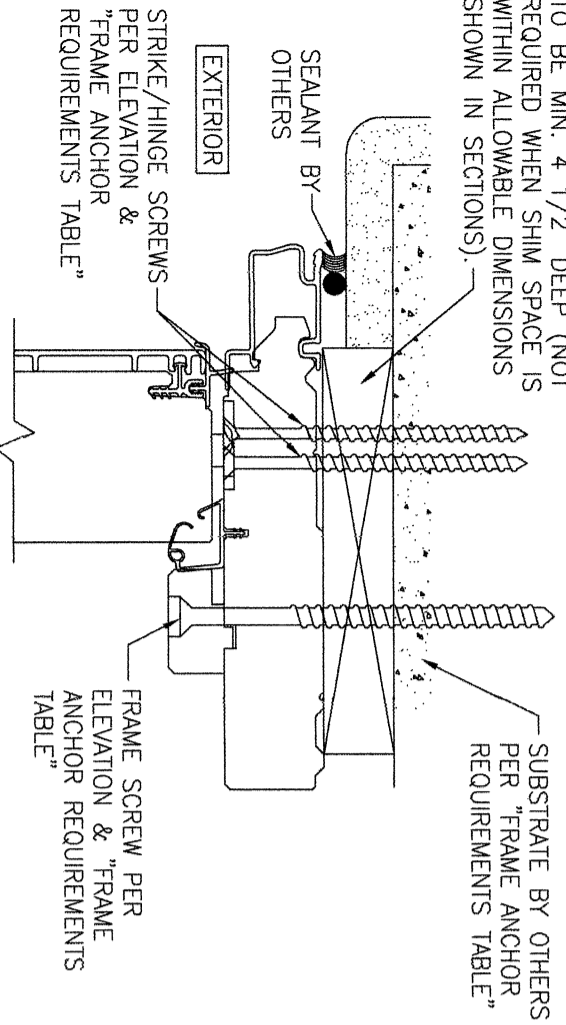
MANUFACTURER: PELLA CORPORATION
102 MAIN STREET, PELLA, IA 50219, 641-621-1000

CERTIFICATION: WARREN W. SCHAEFER, P.E., P.E. NO. 44135

DRAWING NO.: 1731
REV.: D

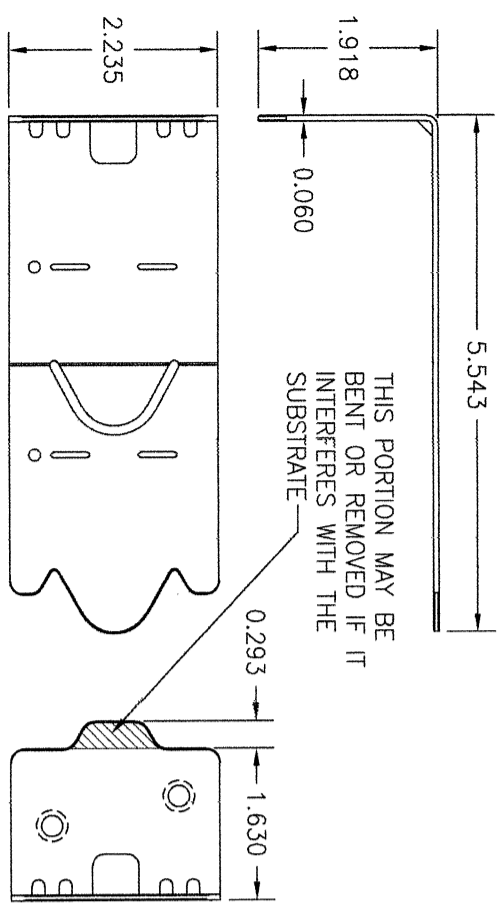
SHEET NO.: 6 OF 7

CONTINUOUS WOOD MEMBER LESS IN THICKNESS THAN A 2X BUCK TO BE MIN. 4 1/2" DEEP (NOT REQUIRED WHEN SHIM SPACE IS WITHIN ALLOWABLE DIMENSIONS SHOWN IN SECTIONS).

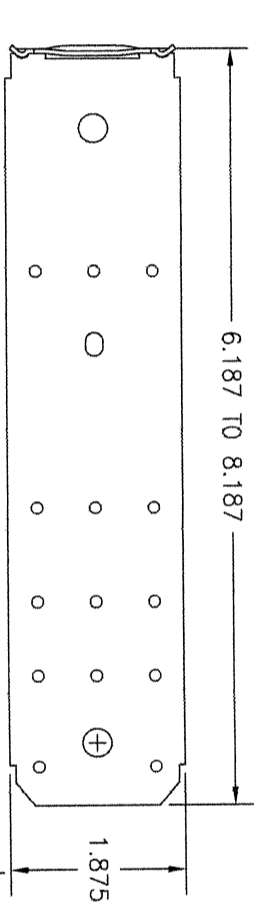
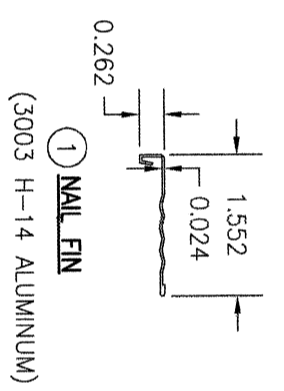


OPTIONAL DIRECT MOUNT DETAIL TO SUBSTRATE WITH SPACER

(HEAD SECTION SHOWN; SILL & SIDES ARE INSTALLED THE SAME)
(FOR DETAIL NOT SHOWN, SEE OTHER SECTIONS)
(OPERABLE DOOR SHOWN, FIXED PANEL DOORS ALSO APPLY)

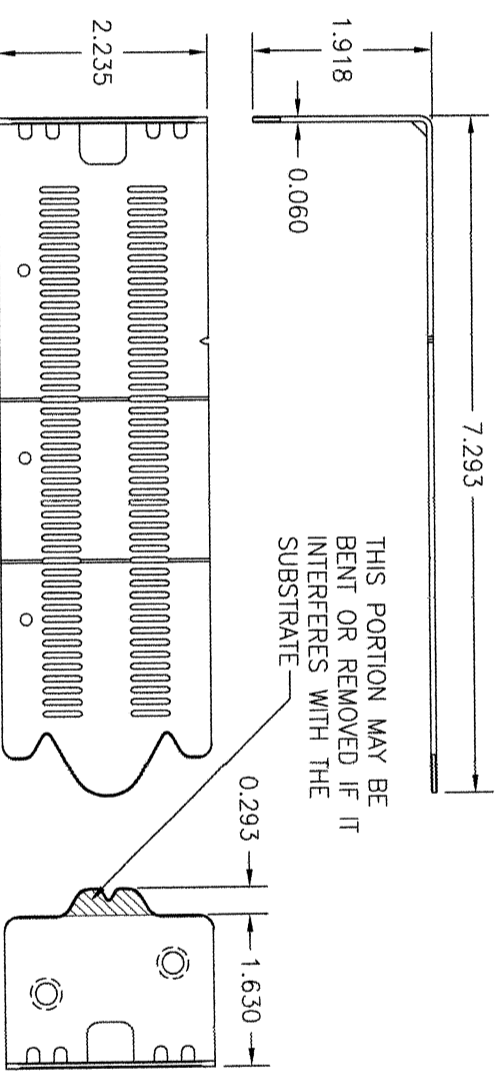


4 FRAME INSTALLATION CLIP
(50 KSI STEEL)
LONG CLIP USED WITH 3-PIECE CLIP SYSTEM (TYPICALLY USED WITH 2X6 BUCK SUBSTRATE, BUT MAY ALSO BE USED WITH 2X4)
THIS PORTION MAY BE BENT OR REMOVED IF IT INTERFERES WITH THE SUBSTRATE

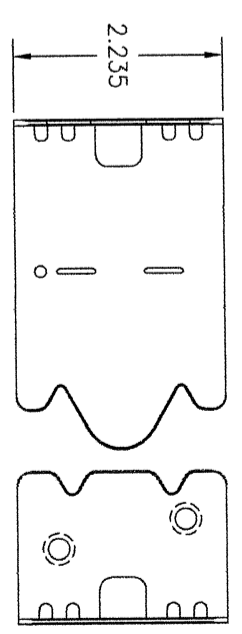
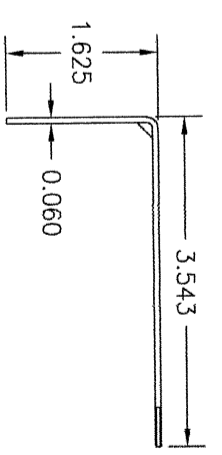


BENT PORTION OF CLIP MAY BE SNIPPED OFF IF REQ'D FOR PLACEMENT TO WINDOW FRAME.

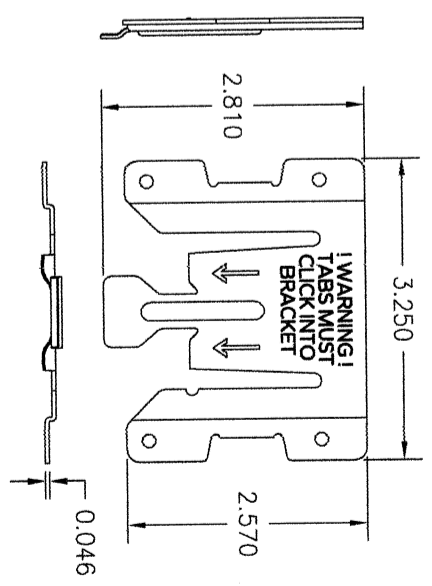
2 FRAME INSTALLATION CLIP
(50 KSI STEEL)



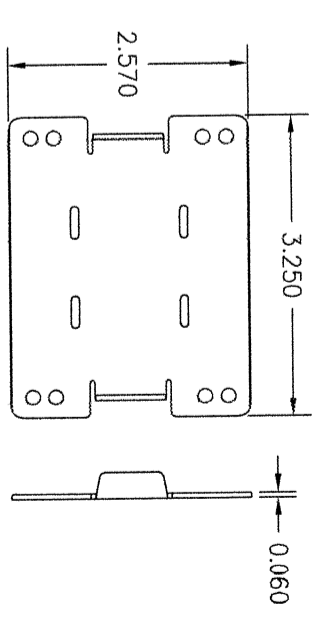
5 FRAME INSTALLATION CLIP
(50 KSI STEEL)
ADJUSTABLE CLIP USED WITH 3-PIECE CLIP SYSTEM
THIS PORTION MAY BE BENT OR REMOVED IF IT INTERFERES WITH THE SUBSTRATE



3 FRAME INSTALLATION CLIP
(50 KSI STEEL)
SHORT CLIP USED WITH 3-PIECE CLIP SYSTEM (TYPICALLY USED WITH 2X4 BUCK SUBSTRATE)



6 3-PIECE CLIP RECEIVER
(50 KSI STEEL)



7 3-PIECE CLIP BASE
(33 KSI STEEL)

NO.	REVISION DESCRIPTION	BY	DATE
1-2			

DRAWING TITLE: PELLA ARCHITECT OUT-SWING NON-IMPACT ALUMINUM CLAD WOOD DOOR INSTALLATION REQUIREMENTS

CONSULTANTS: W. W. SCHAEFER ENGINEERING & CONSULTING, P.A. (CA 6809)
7480 150TH COURT NORTH, PALM BEACH GARDENS, FL 33418, PHONE: 561-744-3424

MANUFACTURER: PELLA CORPORATION
102 MAIN STREET, PELLA, IA 50219, 641-621-1000

CERTIFICATION: WARREN W. SCHAEFER, P.E. NO. 44135

DRAWING NO.: 1731 D
REV. 1
SHEET NO. 7 OF 7